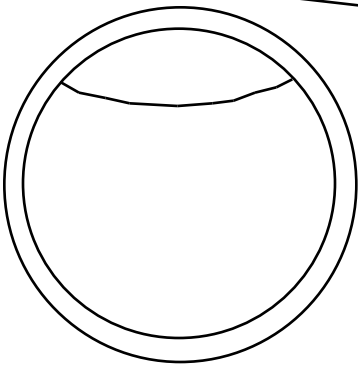
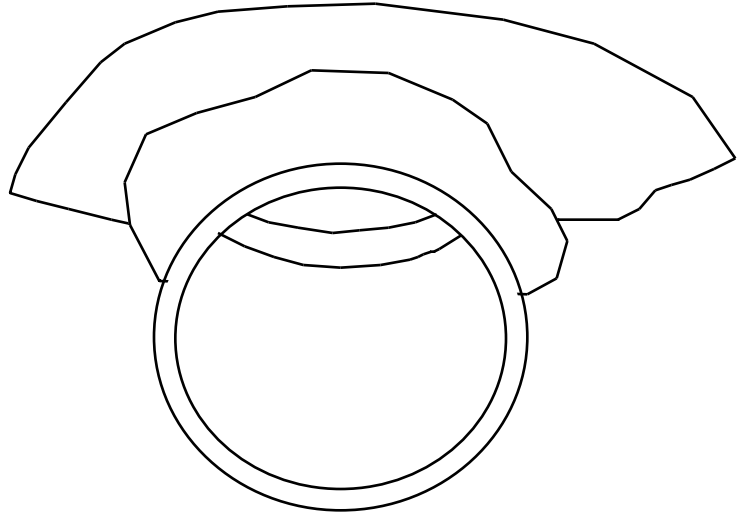


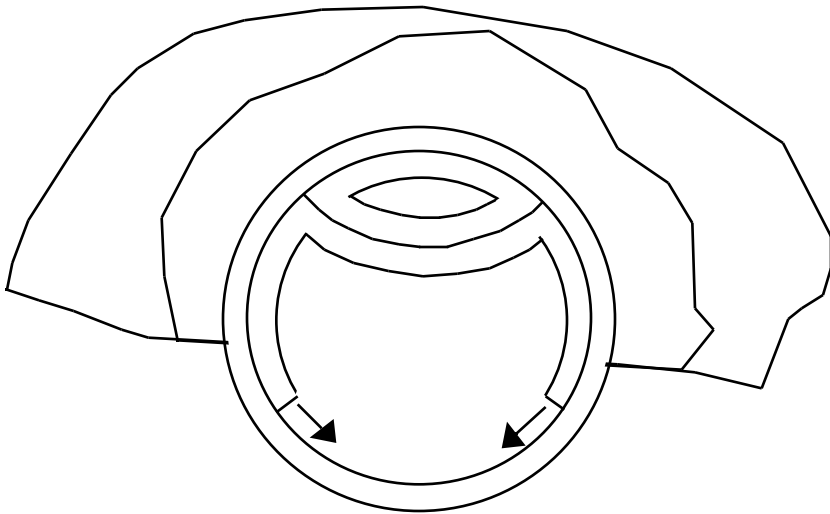
endometrium



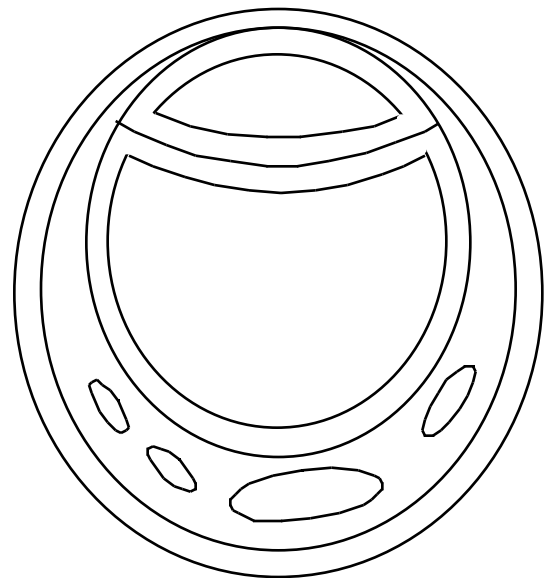
Blastocyst  
d. 5



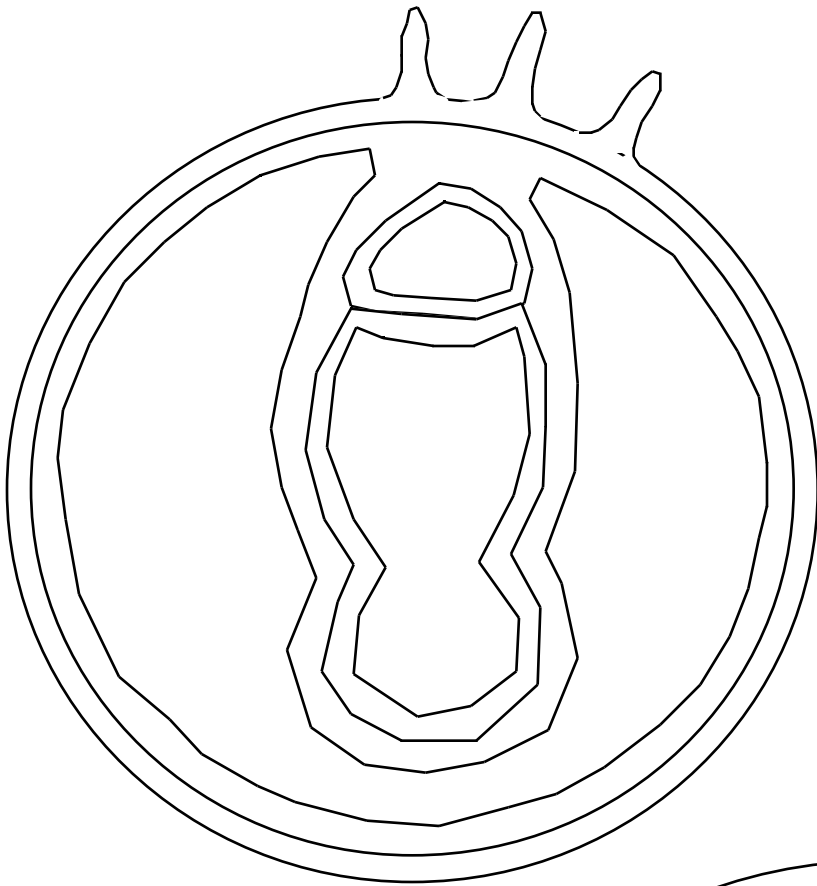
epiblast and hypoblast;  
invading endometrium  
d. 6-7



amnion and  
yolk sac forming  
d. 8-9

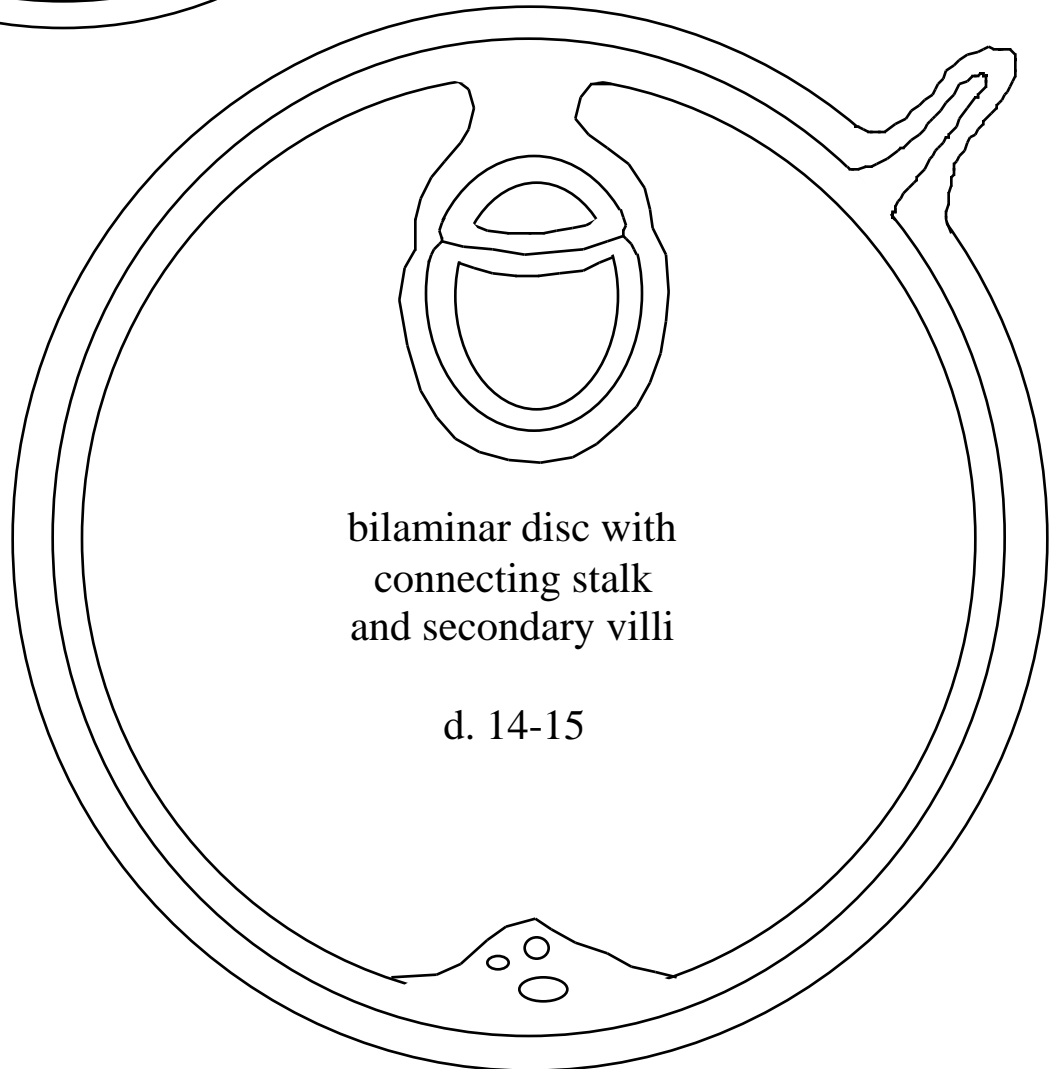


extraembryonic reticulum  
forming  
d. 10-11



chorionic cavity expands  
secondary yolk sac and  
primary villi forming

d. 13



bilaminar disc with  
connecting stalk  
and secondary villi

d. 14-15